

# Rectifier Diodes for Alternators

| Type No.    | Absolute maximum ratings |                |               |                | Electrical Characteristics |                     |                |           |                      | Fig. No. | Remarks          |
|-------------|--------------------------|----------------|---------------|----------------|----------------------------|---------------------|----------------|-----------|----------------------|----------|------------------|
|             | $V_{RM}$ (V)             | $I_F$ (AV) (A) | $I_{FSM}$ (A) | $T_{stg}$ (°C) | $V_F$ (V) max              | Condition $I_F$ (A) | $I_R$ (mA) max | $V_Z$ (V) | Condition $I_Z$ (mA) |          |                  |
| SG-9CNS     | 200                      | 20             | 200           | -40 to +150    | 1.10                       | 20                  | 0.25           | —         | —                    | 1        |                  |
| SG-9CNR     |                          |                |               |                |                            |                     |                |           |                      |          |                  |
| SG-9LCNS    | 200                      | 30             | 300           | -40 to +150    | 1.10                       | 30                  | 0.25           | —         | —                    | 2        |                  |
| SG-9LCNR    |                          |                |               |                |                            |                     |                |           |                      |          |                  |
| SG-10LS     | 200                      | 30             | 350           | -40 to +150    | 1.20                       | 100                 | 0.25           | —         | —                    | 3        |                  |
| SG-10LR     |                          |                |               |                |                            |                     |                |           |                      |          |                  |
| SG-10LXS    | 150                      | 35             | 400           | -40 to +150    | 1.05                       | 100                 | 0.25           | —         | —                    | 3        |                  |
| SG-10LXR    |                          |                |               |                |                            |                     |                |           |                      |          |                  |
| SG-10LLS    | 200                      | 40             | 400           | -40 to +150    | 1.05                       | 100                 | 0.25           | —         | —                    | 4        |                  |
| SG-10LLR    |                          |                |               |                |                            |                     |                |           |                      |          |                  |
| SG-10LLXS   | 150                      | 45             | 450           | -40 to +150    | 1.00                       | 100                 | 0.25           | —         | —                    | 4        |                  |
| SG-10LLXR   |                          |                |               |                |                            |                     |                |           |                      |          |                  |
| SG-10LZ23S  | 17                       | 30             | 350           | -40 to +150    | 1.20                       | 100                 | 0.05           | 23±3      | 10                   | 3        | Power Zener Type |
| SG-10LZ23R  |                          |                |               |                |                            |                     |                |           |                      |          |                  |
| SG-10LLZ23S | 17                       | 40             | 400           | -40 to +150    | 1.05                       | 100                 | 0.05           | 23±3      | 10                   | 4        |                  |
| SG-10LLZ23R |                          |                |               |                |                            |                     |                |           |                      |          |                  |

## External Dimensions (unit: mm)

Fig. 1

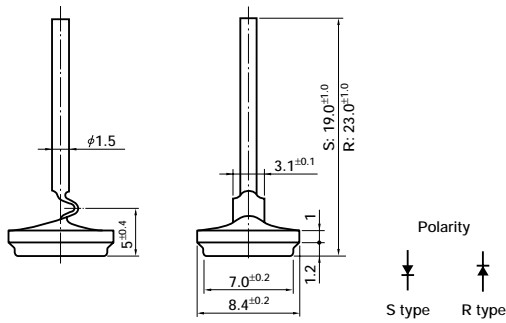


Fig. 2

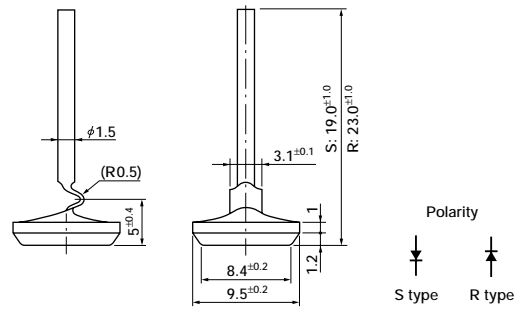


Fig. 3

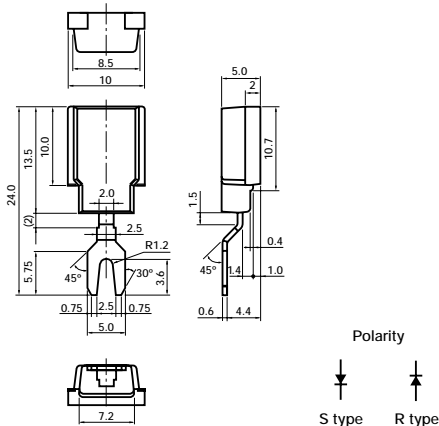


Fig. 4

